

High Productivity Cooking Smart Electric Boiling Pan 150lt, 600mm tilting height

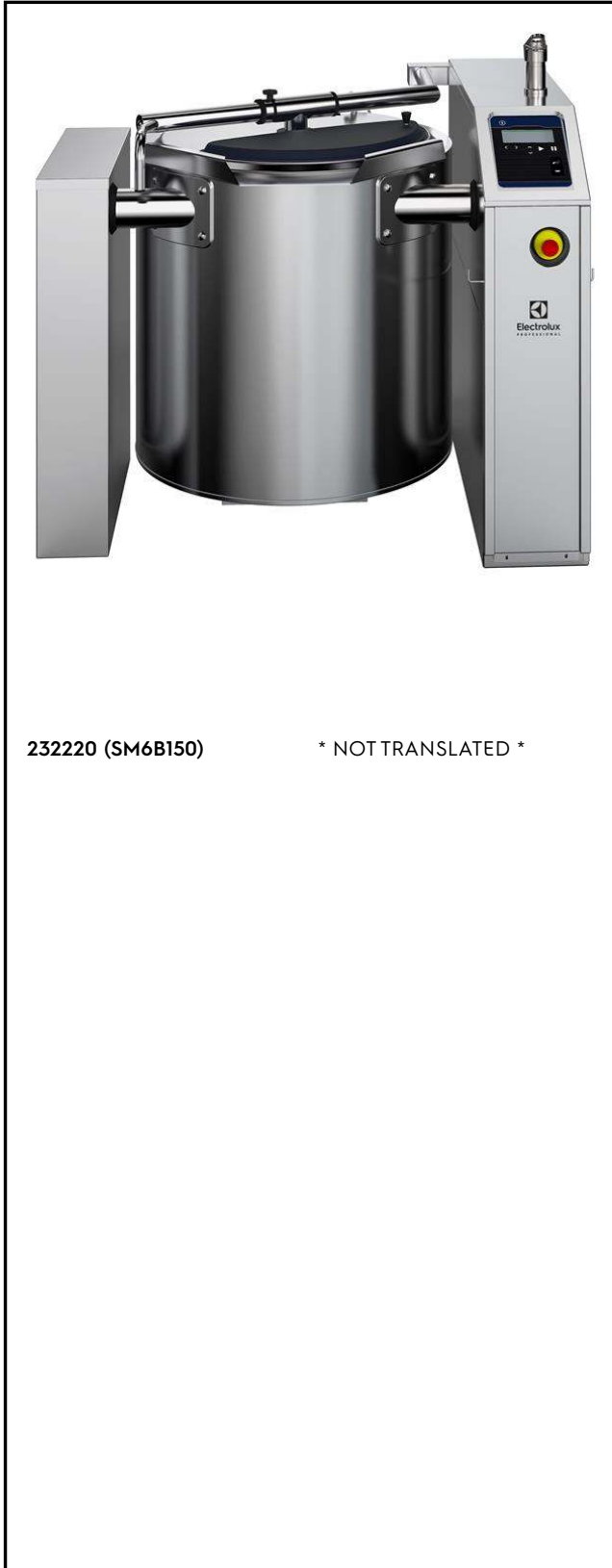
ITEM # _____

MODEL # _____

NAME # _____

SIS # _____

AIA # _____



Main Features

- Curved pan base guarantees that the appliance is also suitable to prepare small quantities of food.
- Safety valve avoids overpressure of the steam in the jacket.
- Safety thermostat protects against low water level.
- Compliant to CE requirements for safety.
- Constructed to meet the highest hygiene standards.
- Safe thanks to the higher water protection IPX5 and the lower temperature outside the panels.
- Fast working thanks to the high efficient heating technology and well insulation that keeps the heat inside the well.
- High thermal input and fast heat up.
- Isolated upper well rim avoids risk of harm for the user.
- Food is uniformly heated through the base and side walls of the pan by an indirect heating system which uses integrally generated saturated steam at a temperature of 120°C in a jacket with an automatic deaeration system.
- 600 mm tilting height minimum.
- Electronic control with possibility to store up to 50 programs, large display for easy use and a complete control over the following functions: start, cooking time, temperature and water filling.
- OPTIONS (to be ordered with the machine and must be installed in the factory):
 - Spray gun - integrated spray unit

Construction

- Vessel can be tilted beyond 90° to completely empty the food.
- Motorised tilting.
- Ergonomic and user friendly thanks to the high tilting position and the pouring lip design which allow to easily fill containers.
- Max pressure 1,5 bar.
- Heavy duty, balanced stainless steel lid with sliding plastic cover to insert ingredients. Easy to remove and turn to facilitate cleaning.
- Tilting axis located at the front and upper position of the pan to keep the pouring path short when filling different types of vessels.
- AISI 304 stainless steel construction with AISI 316 stainless steel deep drawn pan with rounded edges.

Sustainability



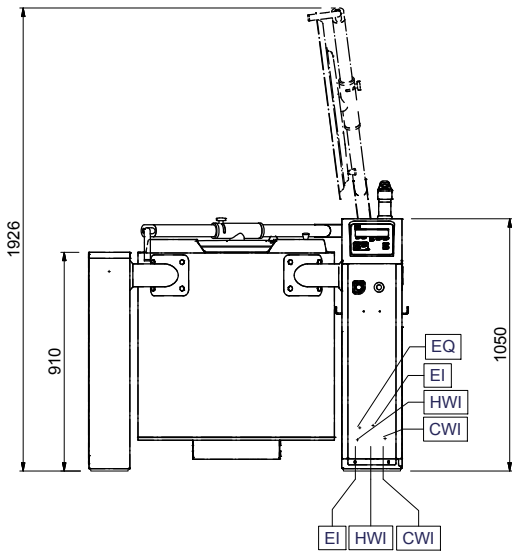
- High-quality thermal insulation of the pan saves energy and keeps operating ambient temperature low.

Optional Accessories

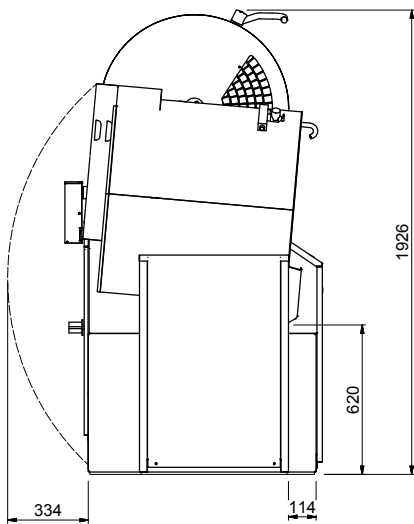
- Strainer 150lt PNC 928026 □

APPROVAL: _____

Front

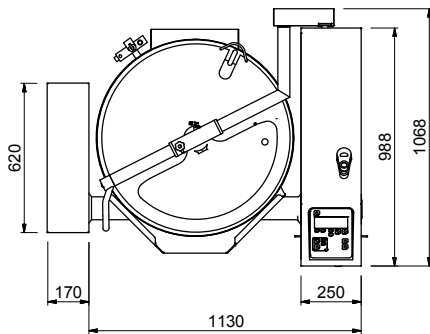


Side



- CWI = Cold Water inlet 1
- EI = Electrical inlet (power)
- HWI = Hot water inlet

Top





Electrolux
PROFESSIONAL

High Productivity Cooking Smart Electric Boiling Pan 150lt, 600mm tilting height

Electric

Supply voltage: 400 V/3N ph/50-60 Hz
Electrical power max.: 30 kW

Installation:

Distance back floor tilted: 620 mm

Key Information:

Working Temperature MIN: 30 °C
Working Temperature
MAX: 121 °C
Vessel (round) diameter: 695 mm
Vessel (round) depth: 500 mm
External dimensions,
Width: 1300 mm
External dimensions,
Depth: 1070 mm
External dimensions,
Height: 1050 mm
Net vessel useful capacity: 150 lt
Tilting mechanism: Automatic
Bearing: Front



High Productivity Cooking
Smart Electric Boiling Pan 150lt, 600mm tilting height

The company reserves the right to make modifications to the products
without prior notice. All information correct at time of printing.

2026.02.26